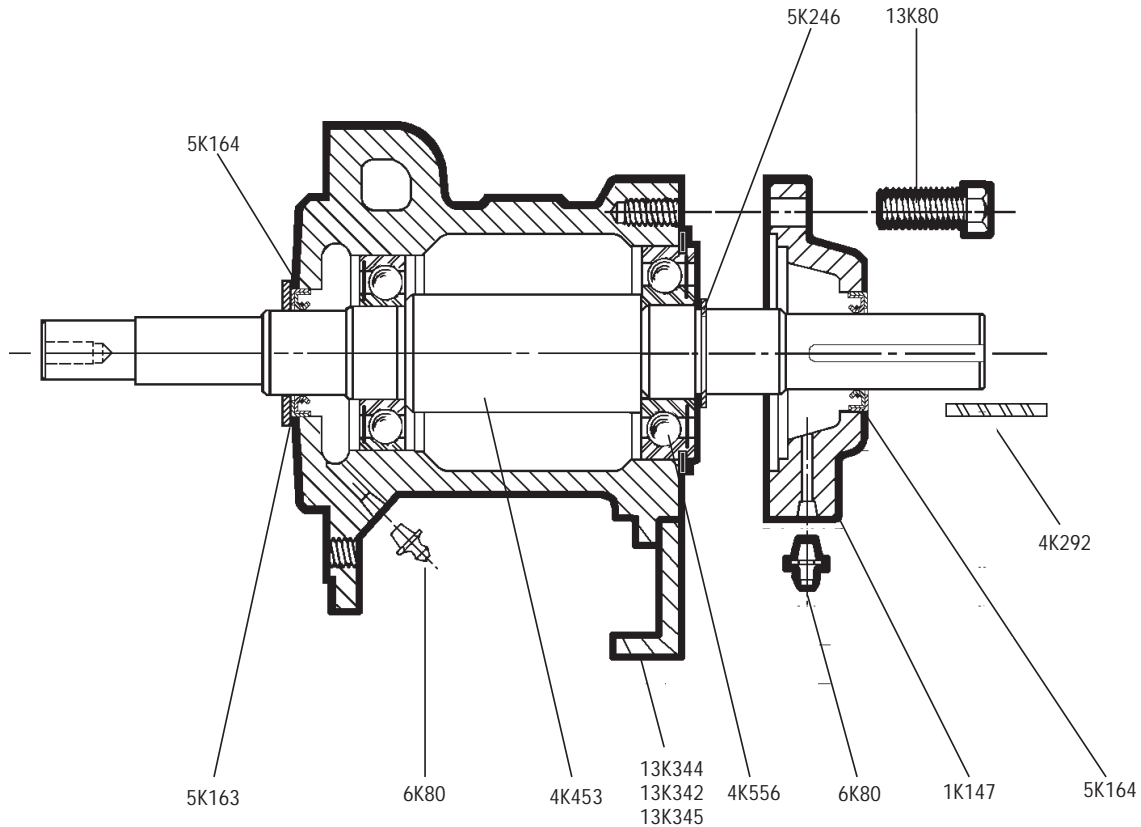


M-Group Power Frame for SFH.
(mechanical seal only)

M-Group Power Frame

Effective August, 2002



Lubrication: Regreasable

| REPAIR NO. | DESCRIPTION | MATERIAL |
|------------|------------------------------|--|
| 4K556 | Ball Bearing (Outboard) | Steel |
| 4K453 | Shaft | Steel |
| 5K163 | Deflector | BUNA-N |
| 1K147 | Bearing Cover | Cast Iron |
| 4K293 | Ball Bearing (Inboard) | Steel |
| 6K80 | Grease Fitting | Steel |
| 5K164 | Lip Seal | BUNA / Steel |
| 13K80 | Hex Head Cap Screw | Steel SAE Gr. 5 |
| 5K246 | Retaining Ring | Steel SAE Gr. 5 |
| 13K344 | Foot, Frame (Motor Frame) | 22SF, 23SF, 24SF, 25SF (180-280) |
| 13K342 | | 27SF, 28SF (180-320) |
| 13K345 | | 22SF, 23SF, 24SF, 25SF (320) |
| 13K345 | | 22SF, 23SF, 24SF, 25SF, 27SF, 28SF (360) |
| 4K292 | Key | Steel |

To order complete assembly use part number 15K25.

Shaft and mounting face duplicates NEMA 254JP dimensions.