



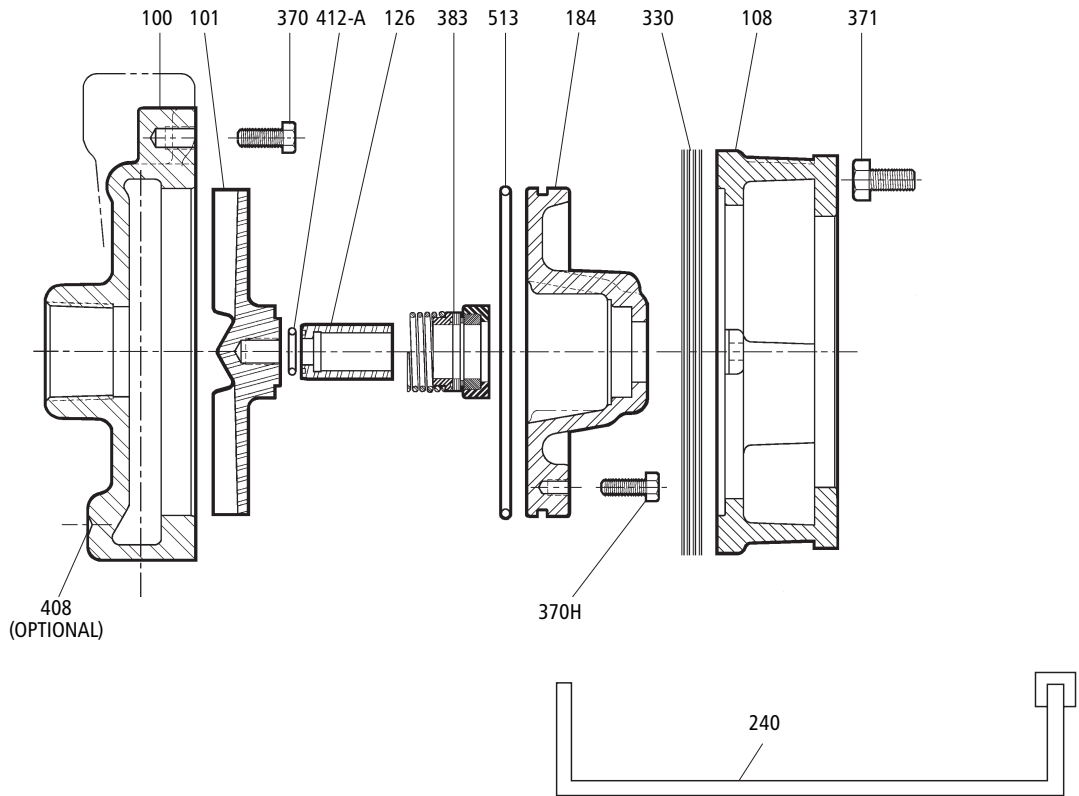
ITT

RICS-F

Commercial Water Systems

Goulds Pumps ICS/ICS-F Repair Parts

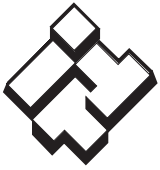
For XS-Group power frame individual parts,
see XS-Group power frame repair parts page.



Goulds Pumps is a brand of ITT Corporation.

www.goulds.com

Engineered for life



ITT

Commercial Water Systems

Replacement Parts Listing				Part Order No.	
Item No.	Description	Materials of Construction	1 SS 1 x 1¼ – 5	2 SS 1¼ x 1½ – 5	
100	Casing	AISI 316 SS	1K278	1K279	
101	Impeller		See Impeller Reference Chart		
108	Adapter	Cast iron	1K281		
126	Shaft sleeve	AISI 316 SS	4K382		
184	Seal housing		1K280		
240	Motor support	Steel	9K187		
	Rubber channel	Rubber	9K188		
330	Shim pack	Plastic	4K383		
370	H.H. screw, adapter to casing	AISI 316 SS	13K157		
370H	H.H. screw, adapter to seal hsg.		13K257		
371	H.H. screw, adapter to motor		13K69		
383	Mechanical seal	standard	Carbon/sil car/viton		
		optional	Carbon/sil car/EPR		
412A	O-ring, impeller	Viton	5K215		
		EPR	5K221		
513	O-ring, casing	Viton	5K216		
		EPR	5K222		

Impeller Reference Chart	
Part No.	Diameter
2K499	5 ³ / ₈
2K500	5 ¹ / ₈
2K501	5
2K502	4 ⁷ / ₈
2K503	4 ³ / ₄
2K504	4 ¹ / ₂
2K505	4 ¹ / ₄
2K506	3 ¹⁵ / ₁₆
2K507	3 ³ / ₄
2K508	3 ¹ / ₂
2K509	3 ³ / ₈
2K510	3 ⁷ / ₁₆
2K511	3

NOTE: For complete power frame assembly use part #14L61.

NOTE: For motor pricing see end suction price booklet.



Goulds Pumps and the ITT Engineered Blocks Symbol are registered trademarks and tradenames of ITT Corporation.

SPECIFICATIONS ARE SUBJECT TO CHANGE WITHOUT NOTICE.

RICS-F July, 2008

© 2008 ITT Corporation

Engineered for life