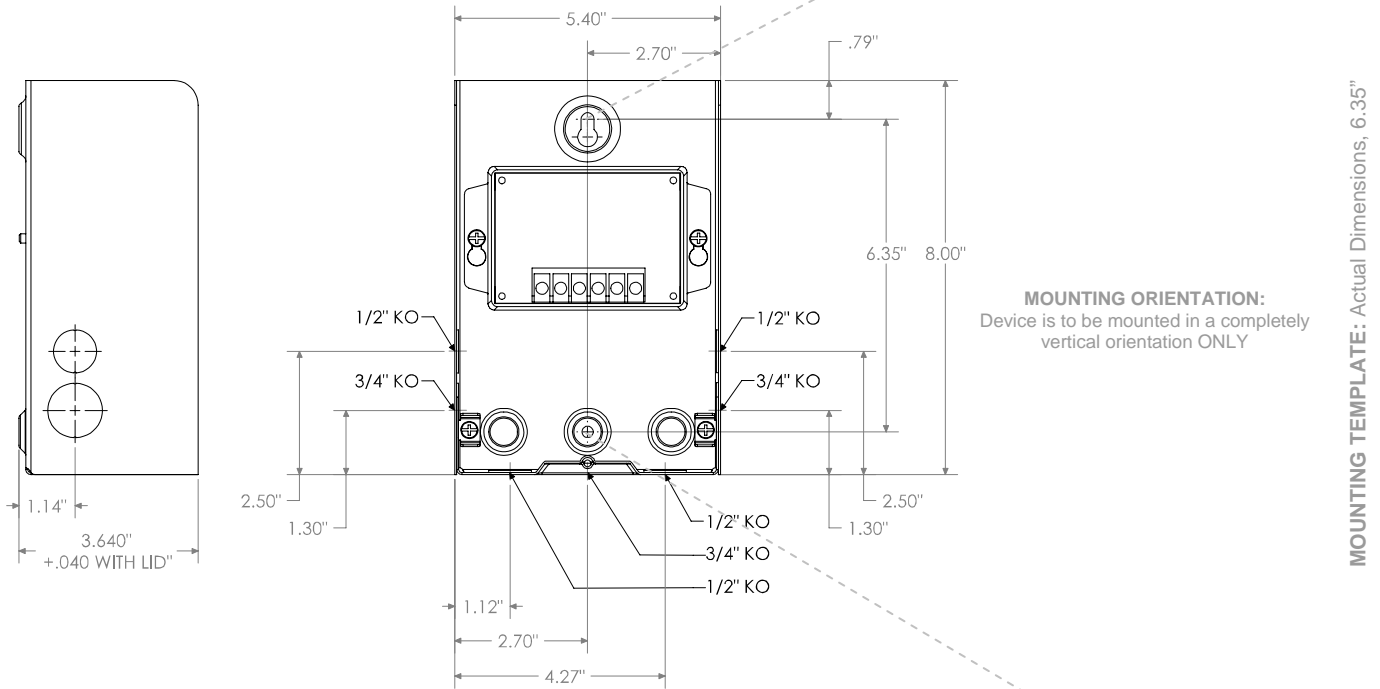


MOUNTING YOUR SYMCOM ENCLOSURE



PumpSaver®Plus mounted in SymCom enclosure, Front View.

- 1) Mount the steel enclosure in the desired location using two #10 screws and the two provided gaskets. A mounting template is provided above.
- 2) Use UL listed raintight or wet location hubs to route wires into and out of the enclosure.
 - a. Seven knockouts (KO) are provided for wire routing.
 - b. Two grounding terminals are provided inside the enclosure.

WARNING! Wiring is to be routed so it does not come into contact with and is at a minimum 3/8 inch distance from Cover or Bottom of Enclosure.

- 3) See the inside cover of the enclosure for a PumpSaver®Plus wiring diagram and refer to the PumpSaver®Plus Installation Instructions for more details.
- 4) Secure the cover onto the enclosure using the screw provided.